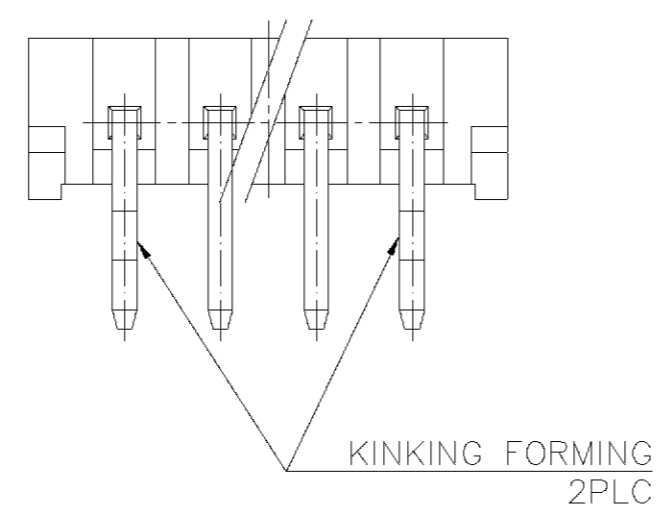
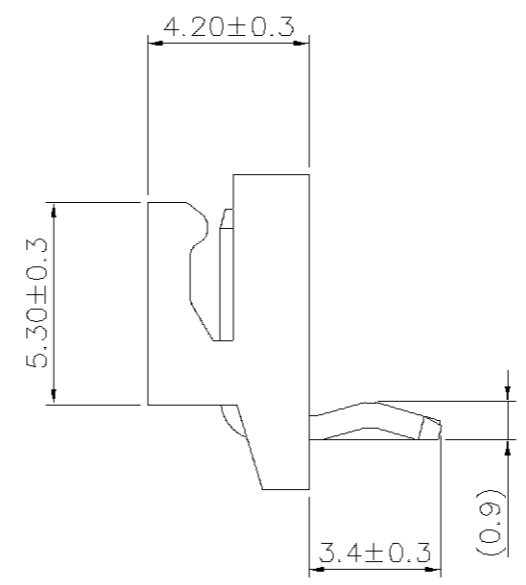
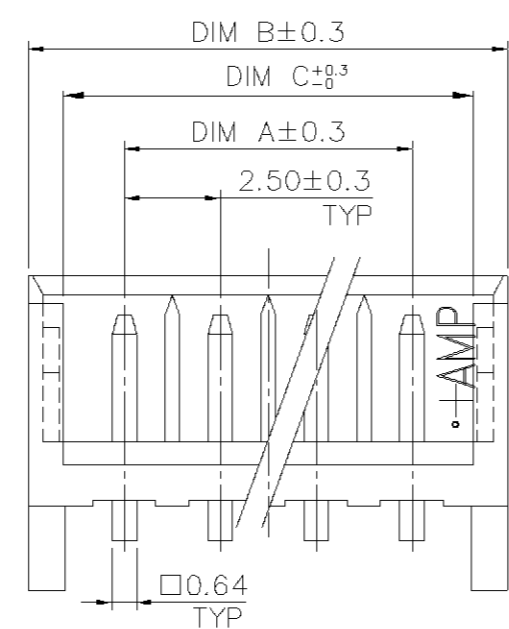
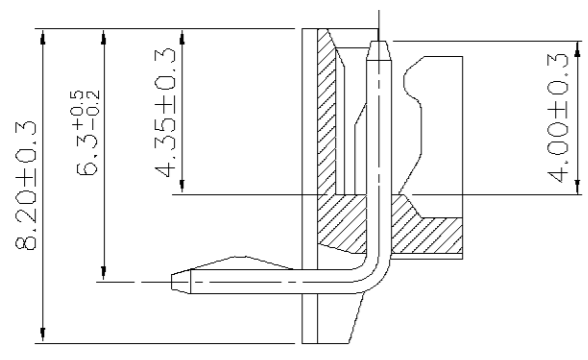


- NOTE:
- MATERIAL: POST: BRASS TIN-PLATED  
HOUSING: NYLON 66 UL 94V-0
  - WHEN EXTRACTING RECEPTACLE HOUSING FROM HEADER, NOT WIRE BUT RECEPTACLE HOUSING SHOULD BE GRIPED IN ORDER TO AVOID THE WIRE BREAKAGE.

**3** OBSOLETE PARTS: OBSOLETE CIS STREAMLINING PER D.RENAUD/D.SINISI



<b>3</b> OBSOLETE	DIM C	DIM B	DIM A	CIRCUITS	PATR NO.
	38.2	40.0	35.00	15P	1-440053-5
	35.7	37.5	32.50	14P	1-440053-4
	33.2	35.0	30.00	13P	1-440053-3
	30.7	32.5	27.50	12P	1-440053-2
	28.2	30.0	25.00	11P	1-440053-1
	25.7	27.5	22.50	10P	1-440053-0
	23.2	25.0	20.00	9P	440053-9
	20.7	22.5	17.50	8P	440053-8
	18.2	20.0	15.00	7P	440053-7
	15.7	17.5	12.50	6P	440053-6
	13.2	15.0	10.00	5P	440053-5
	10.7	12.5	7.50	4P	440053-4
	8.2	10.0	5.00	3P	440053-3
	5.7	7.5	2.50	2P	440053-2

DIMENSION : 0 PLC ± 1 PLC ± 2 PLC ± 3 PLC ± ANGLES ±		DR. A. WU 31-JAN-2001			
MATERIAL  SEE NOTE		CHK. J. CHENG 31-JAN-2001			
FINISH  SEE NOTE		APP. J. WU 31-JAN-2001		PRODUCT SPEC 108-57099	
		APPLICATION SPEC		LOC DW A <sub>3</sub>	DRAWING NO C-440053 REV A2
		WEIGHT		SCALE --	SHEET 1 OF 1

A2		REVISED PER ECO-11-005301	RK HMR	6APR11
LTR	REVISION RECORD	ECO	DR CHK	DATE